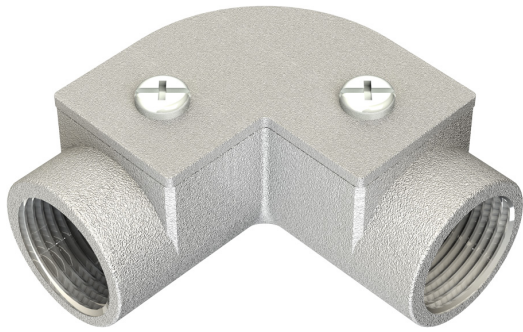


PRODUCT CODE: IE3G
CONDUIT INSPECTION ELBOW



DESCRIPTION

32mm Conduit Inspection Elbow

FINISH

Hot Dipped Galvanised

MATERIAL

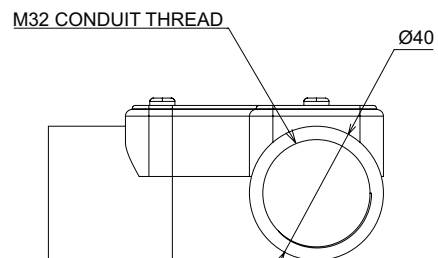
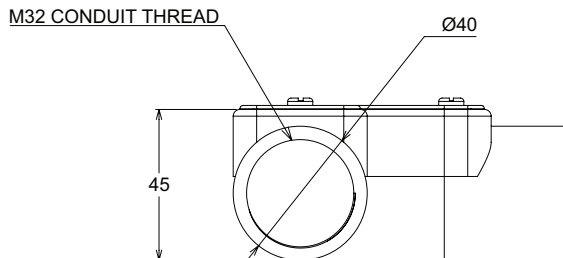
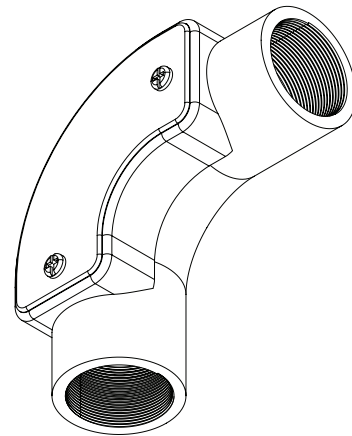
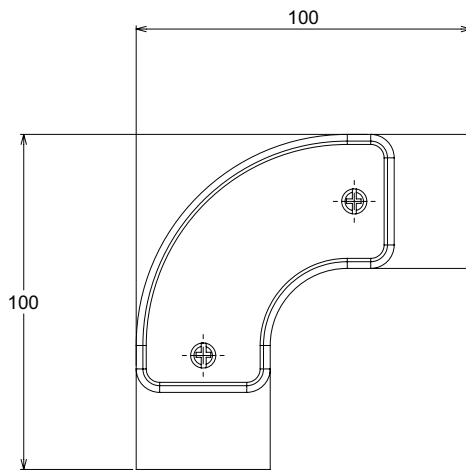
Body: Malleable Iron / Cover: Steel


PACKAGING

Packed in qty 1

ADDITIONAL NOTES

Conforms to BS EN61386-1
Compliant to LU Standard 1-085 (for use on surface & sub-surface locations)
Supplied complete with qty 2 M4 x 6mm pozi-pan screws



 Values are nominal and with a general tolerance $\pm 5\%$ unless otherwise specified